

**Copy Connector Kit Type A (A808)**

## **PARTS CATALOG**

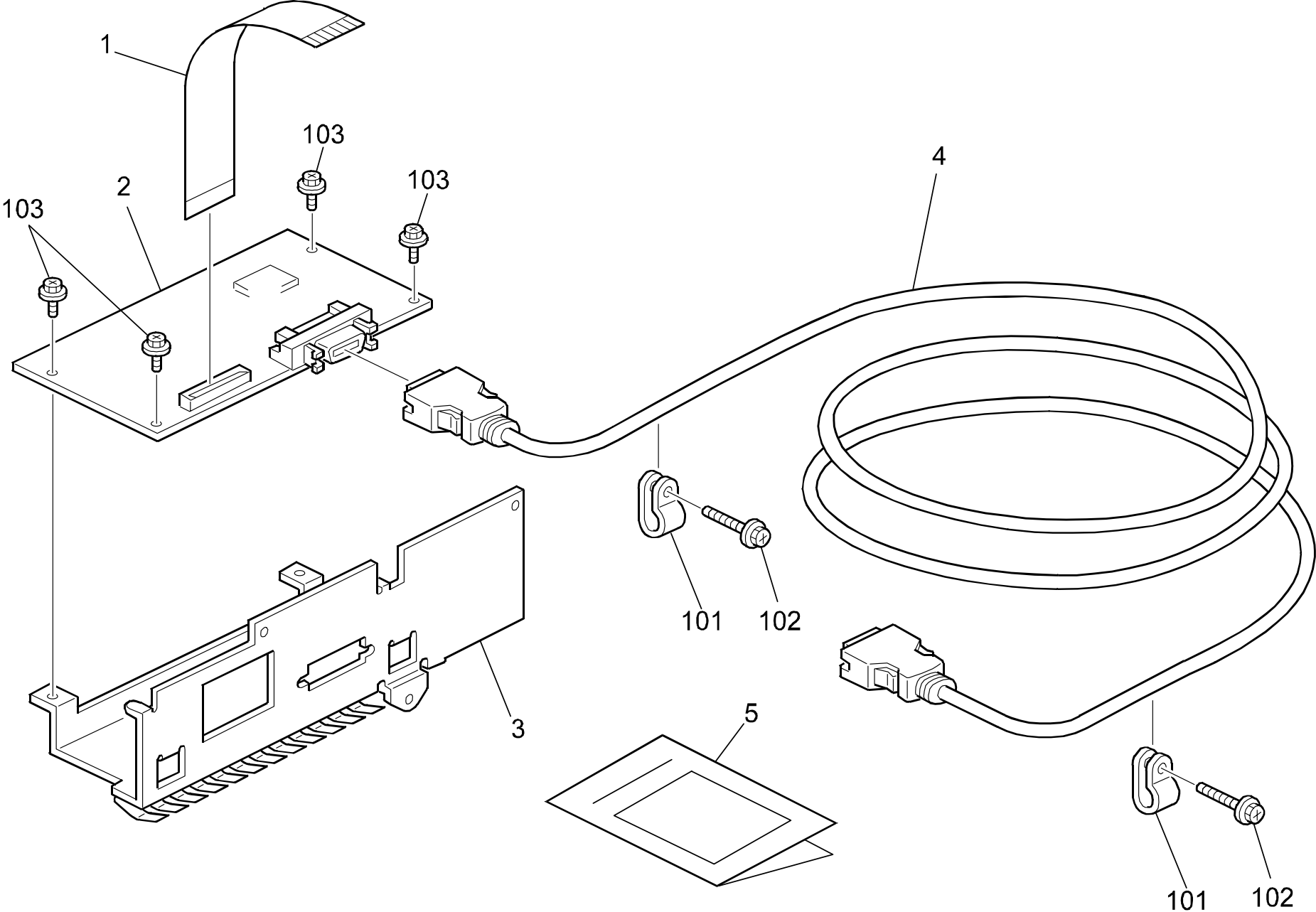
### **INTRODUCTION**

This chapter instructs you the numbers and names of parts on this machine.

### **INDEX to PARTS CATALOG**

1.CONNECT KIT TYPE A (A808).....	2
<b>PARTS INDEX.....</b>	<b>5</b>

1.CONNECT KIT TYPE A (A808)



**1.CONNECT KIT TYPE A (A808)**

Index No.	Part No.	Description	Q'ty Per Assembly
1	A808 5551	Connect Board Harness	1
2	A808 5250	Connect Board	1
3	A808 6001	Connect Board Bracket	1
4	A808 5552	Interface Cable	1
5	A808 8607	Operating Instructions - NA ENG	1

Index No.	Part No.	Description	Q'ty Per Assembly
101	1105 0389	Clamp	
102	0451 3006B	Tapping Screw - M3X6	
103	0312 5040B	Pan Head Screw - M2.5X4	

# **PARTS INDEX**

Part No.	Description	Page and Index No.
A808 5250	Connect Board	3- 2
A808 5551	Connect Board Harness	3- 1
A808 5552	Interface Cable	3- 4
A808 6001	Connect Board Bracket	3- 3
A808 8607	Operating Instructions - NA ENG	3- 5

Part No.	Description	Page and Index No
0312 5040B	Pan Head Screw - M2.5X4	3-103
0451 3006B	Tapping Screw - M3X6	3-102
1105 0389	Clamp	3-101